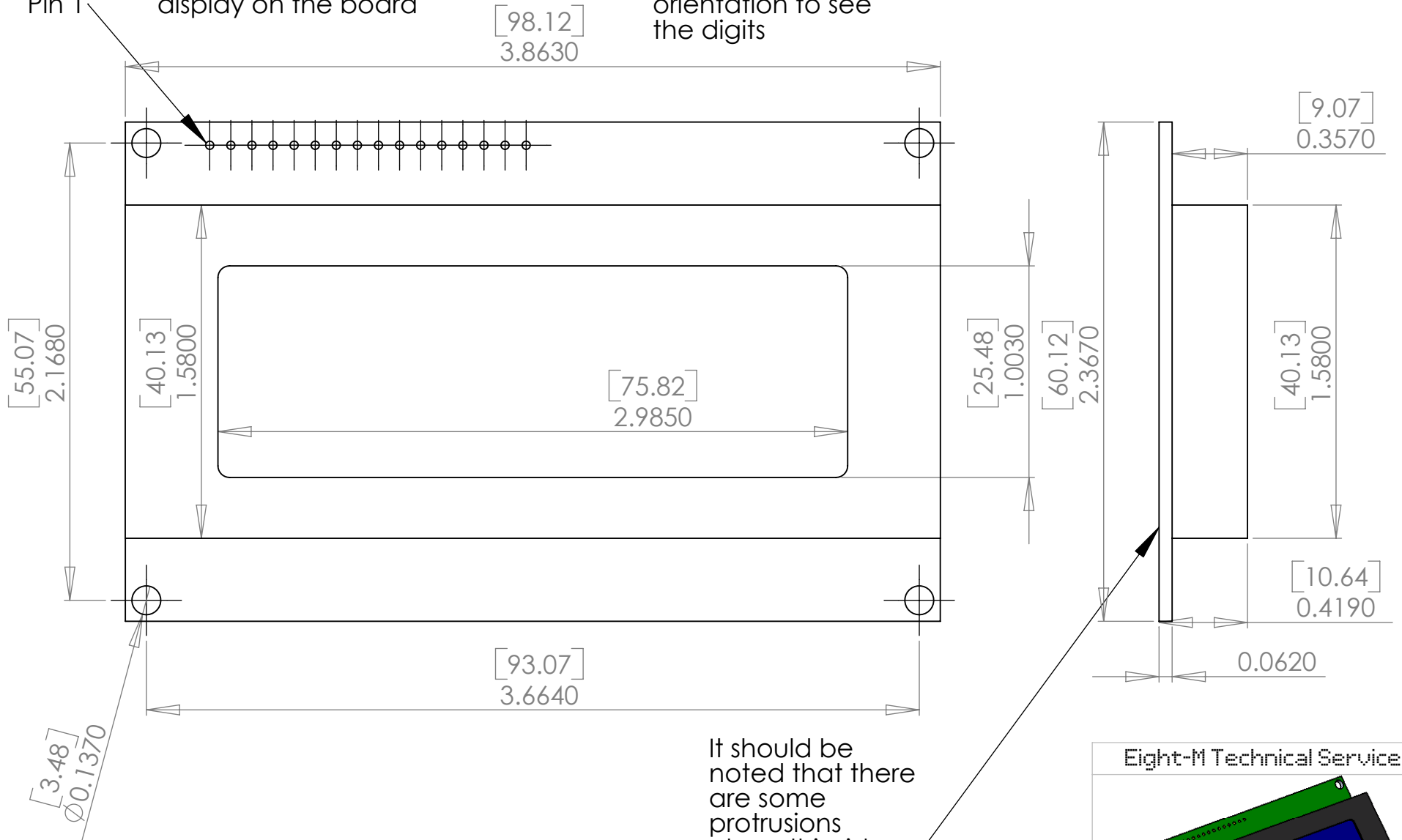


Holes are symmetrical as is the display on the board

Pin 1

Top of display, this is the correct orientation to see the digits



It should be noted that there are some protrusions along this side

Eight-M Technical Services

